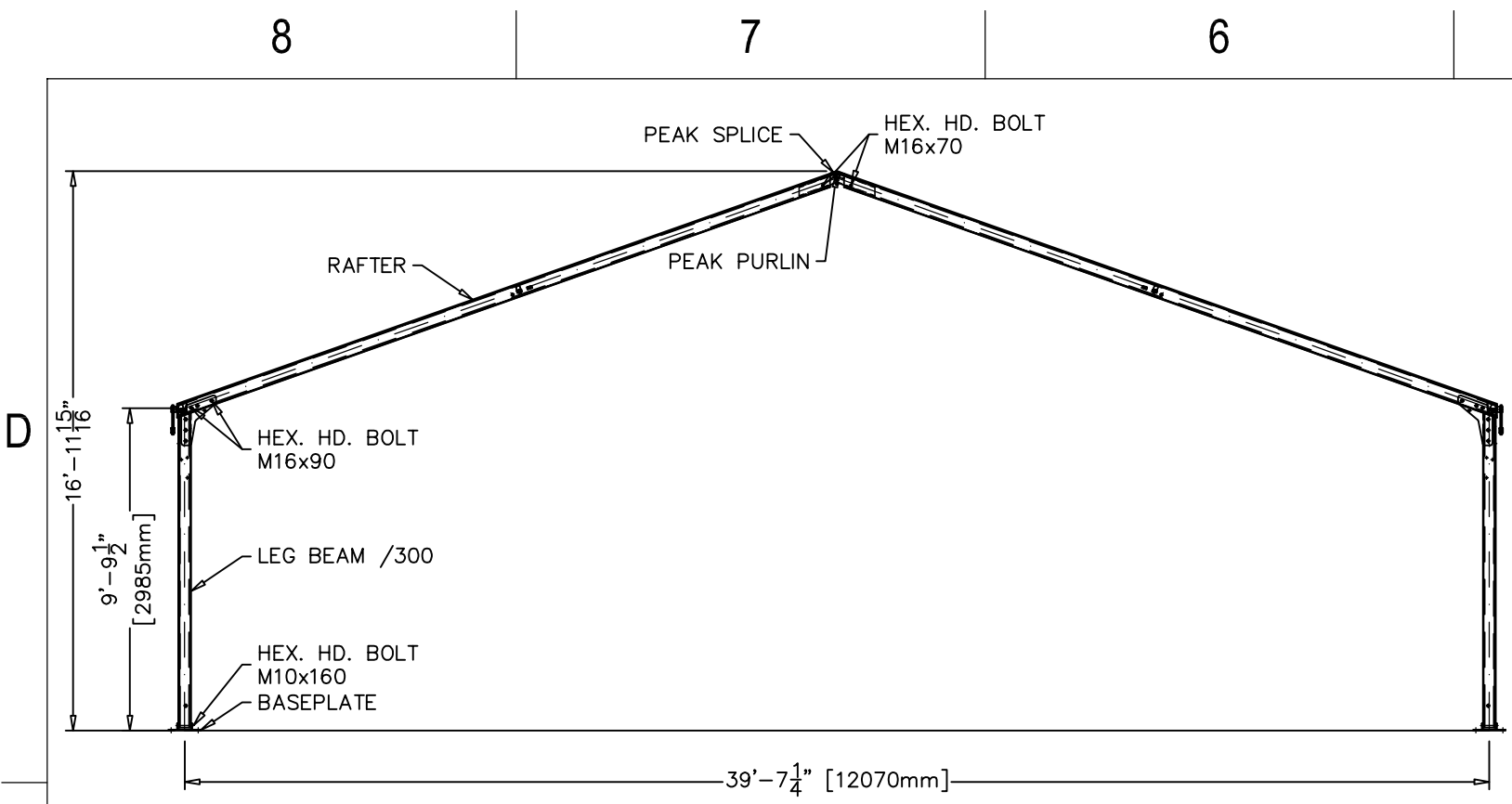
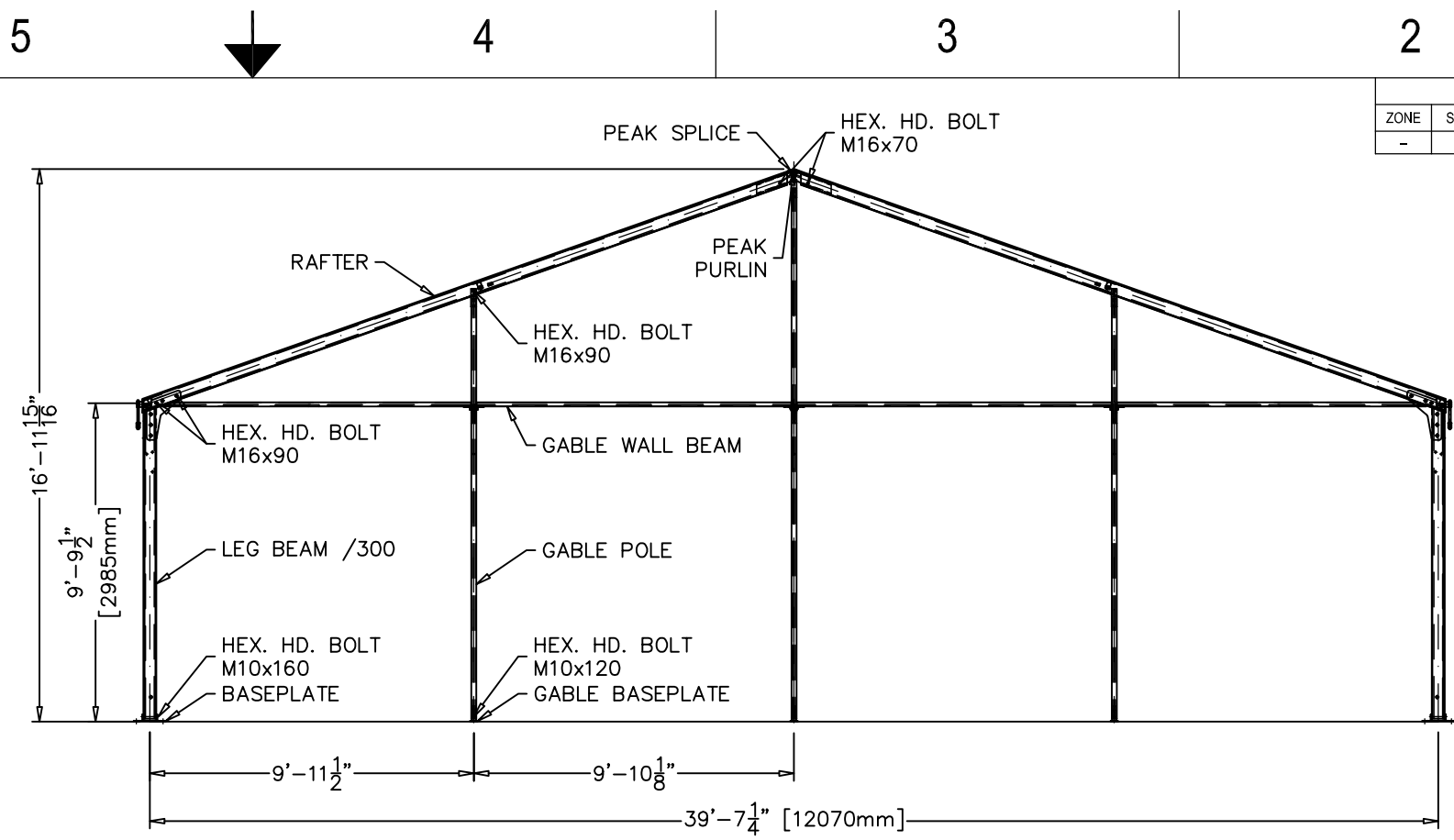


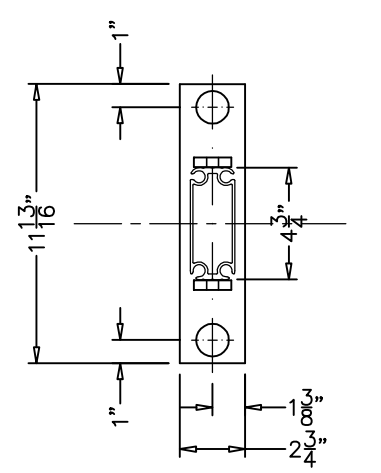
REVISIONS				APPROVED	DATE
ZONE	SYM	DESCRIPTION		SF	31MAR2014
-	0	ORIGINAL RELEASE			



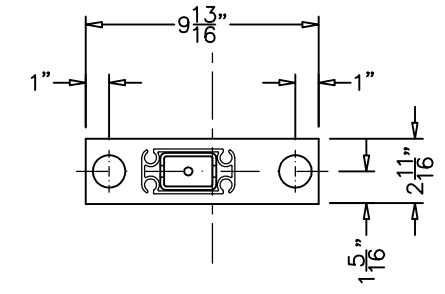
INTERMEDIATE ARCH ELEVATION  
3/16" = 1'-0" (1)



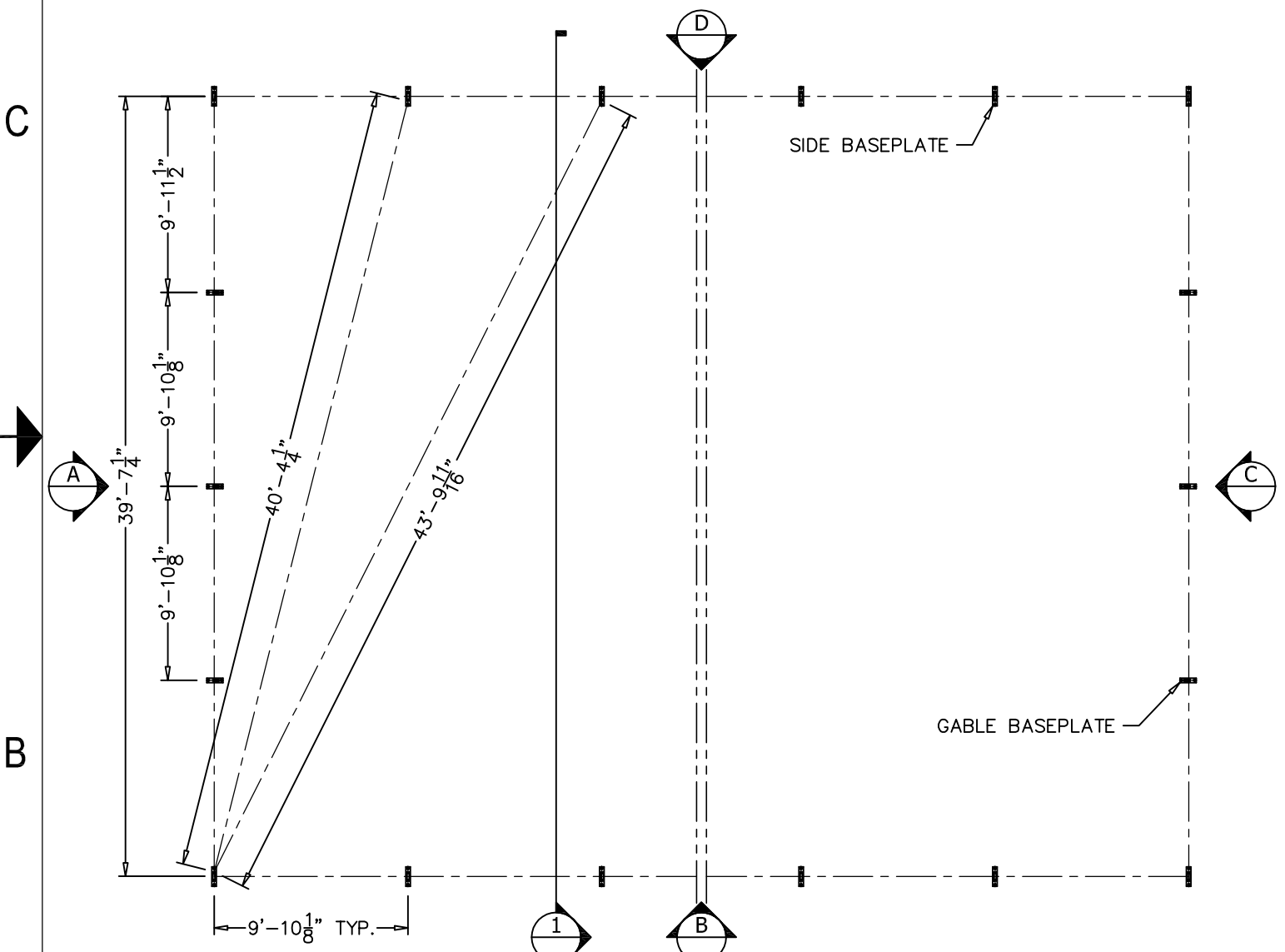
GABLE ELEVATION  
3/16" = 1'-0" (A C)



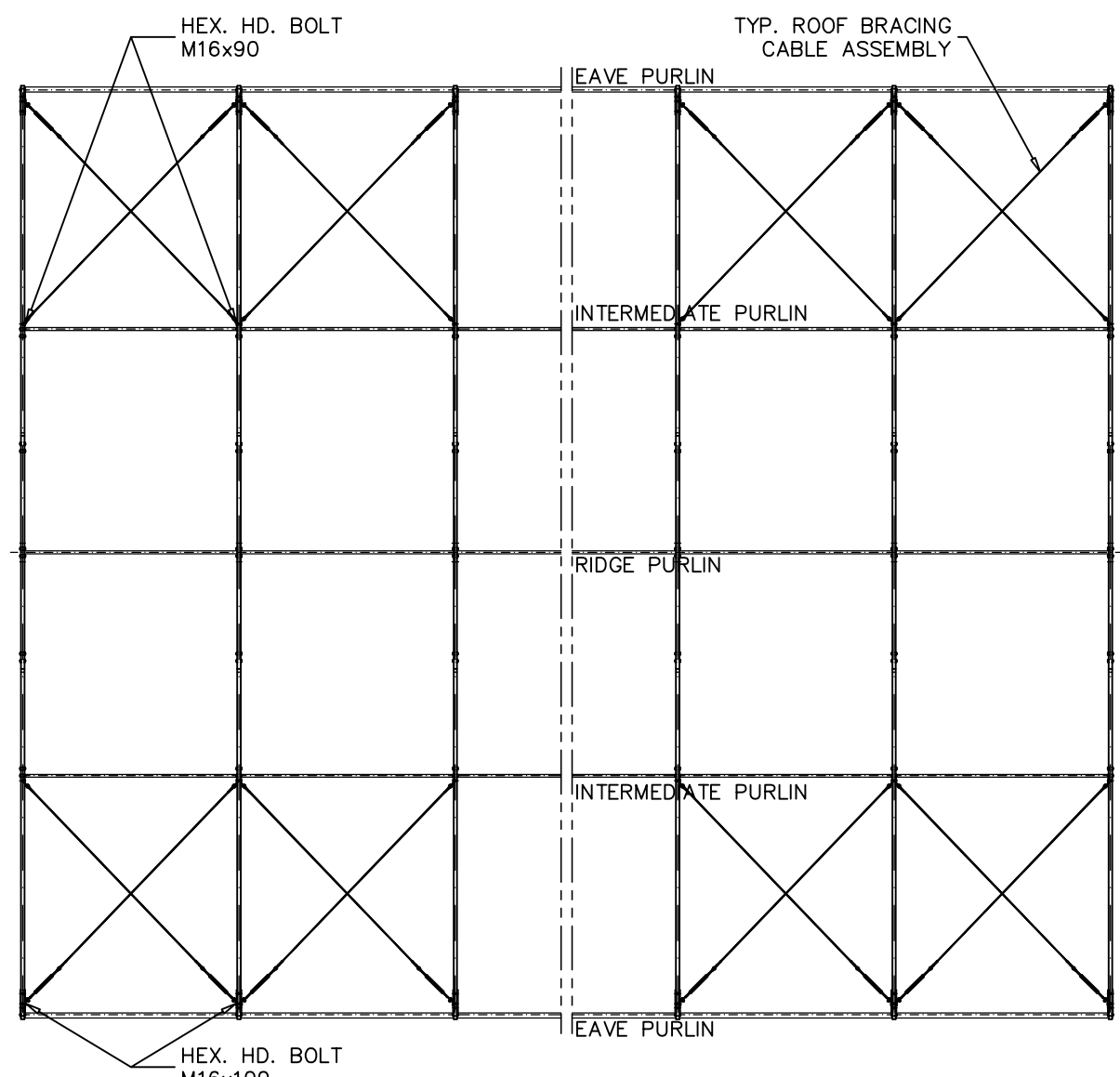
SIDE BASEPLATE  
1 1/2" = 1'-0"



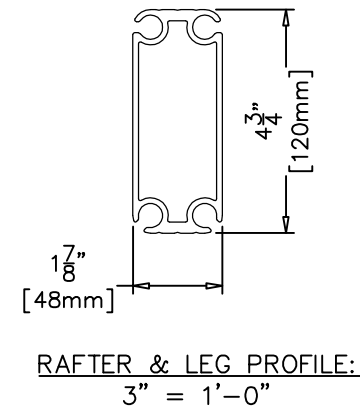
GABLE BASEPLATE  
1 1/2" = 1'-0"



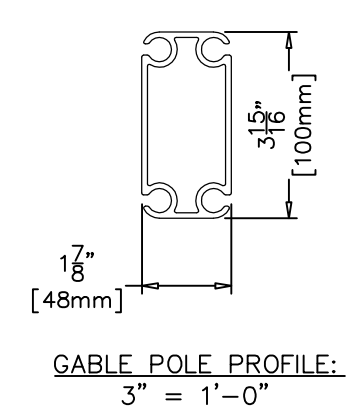
BASEPLATE LAYOUT  
1/8" = 1'-0"



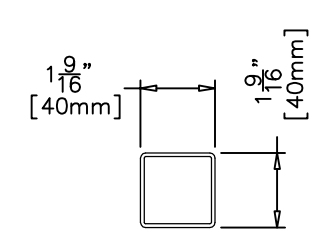
ROOF BRACING PLAN  
1/8" = 1'-0"



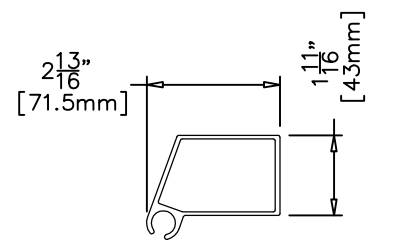
RAFTER & LEG PROFILE:  
3" = 1'-0"



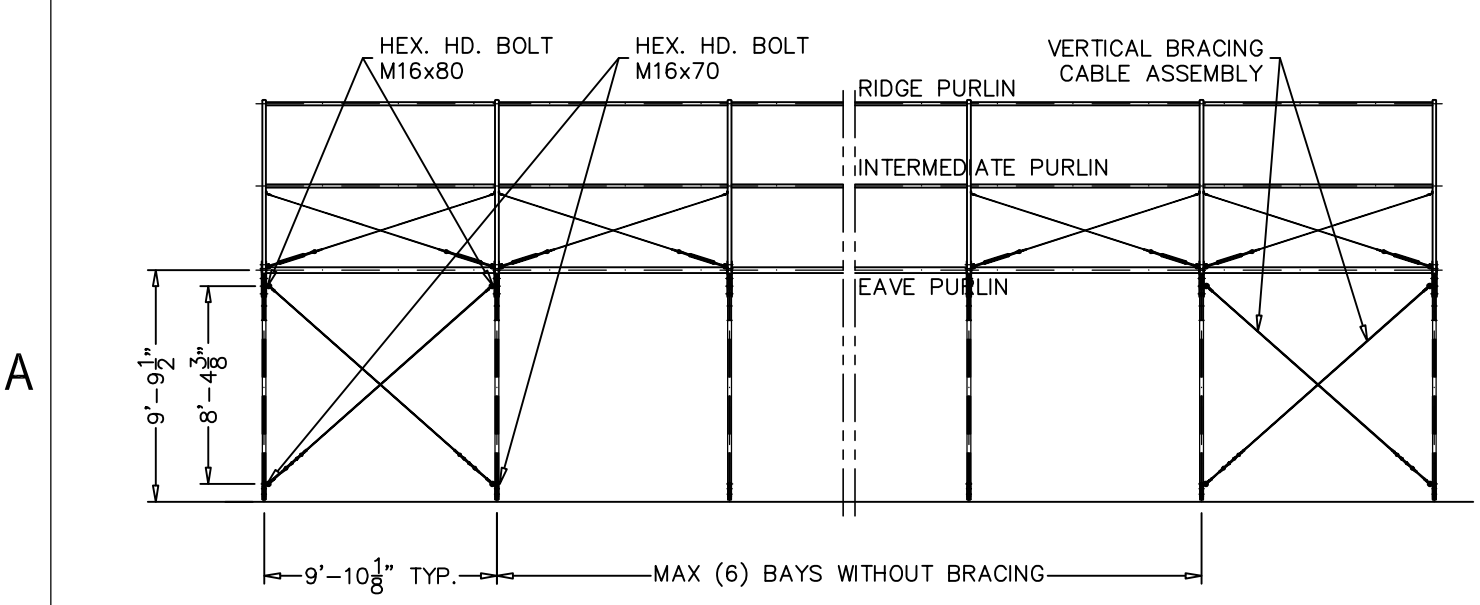
GABLE POLE PROFILE:  
3" = 1'-0"



PURLIN PROFILE:  
INTERMEDIATE & RIDGE  
3" = 1'-0"



PURLIN PROFILE:  
EAVE  
3" = 1'-0"



SIDE ELEVATION w/CABLE BRACING  
1/8" = 1'-0" (B D)

TITLE: 12M/300 GENERAL CONFIGURATION MULTIFLEX P7			
CUSTOMER:			
SIZE: C	SCALE: A.S.	JOB #:	APPROVAL: SH
WHERE USED / CODE:	REV: 0	DWG. NO.:	D225-106
SHEET: 1 OF 1			



Diese Zeichnung darf ohne unsere Genehmigung weder kopiert noch dritten Personen oder Konkurrenzfirmen zugänglich gemacht werden (Par. 15, 18 d. RG. v 19.06.1901)